



# Lasertack

## New Laser Generation

MSL-FN-589/1~200mW



### SINGLE LONGITUDINAL MODE YELLOW LASER AT 589nm

All solid state single longitudinal mode yellow laser at 589nm is made features of ultra compact, long lifetime, low cost and easy operating, which is used in DNA sequencing, flow cytometry, cell sorting, optical instrument, spectrum analysis, interference, measurement, holography, physics experiment, etc.

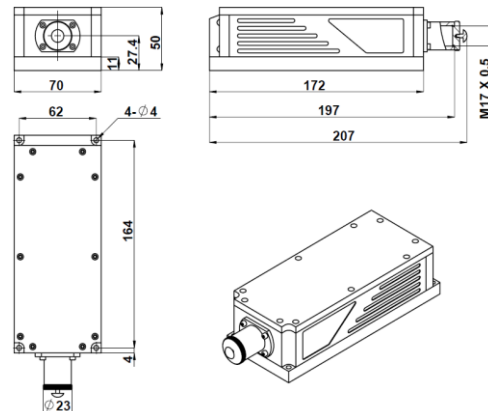


#### SPECIFICATIONS

Wavelength (nm)	589±1
Operating mode	CW
Output power (mW)	>1, 5, 10, 20, ... , 200
Power stability (rms, over 4 hours)	<3%, <5%, <10%
Transverse mode	TEM <sub>00</sub>
Longitudinal mode	Single
Spectral linewidth (nm)	<0.00001
Coherent length (m)	>50
Noise of amplitude (rms, 1Hz~20MHz)	<1%, typical<0.5%
M <sup>2</sup> factor	<1.2
Beam diameter at the aperture (1/e <sup>2</sup> , mm)	<2.5
Beam divergence, full angle (mrad)	<1.2
Polarization ratio	>100:1, Horizontal±5 degree (Vertical Optional)
Warm-up time (minutes)	<10
Pointing stability after warm-up (mrad)	<0.05
Beam height from base plate (mm)	27.4
Operating temperature (°C)	15~35
Power supply (90-264VAC)	PSU-H-FDA
Expected lifetime (hours)	10000
Warranty	1 year

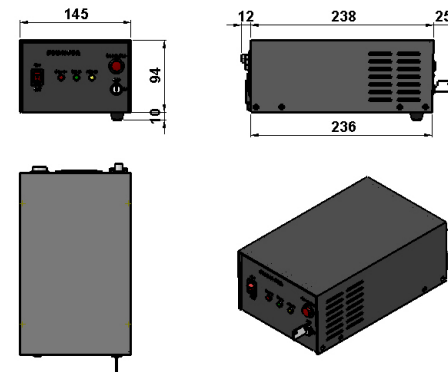


MxL-FN-589



197(L)×70(W)×50(H) mm<sup>3</sup>, 1.36kg

PSU-H-FDA



236(L) × 145(W) × 104(H) mm<sup>3</sup>, 2.3 kg