



# Lasertack

## New Laser Generation

DPS-1573-A/2mJ

### SPECIFICATIONS

### HIGH ENERGY DIODE PUMPED ALL-SOLID-STATE Q-SWITCHED LASER

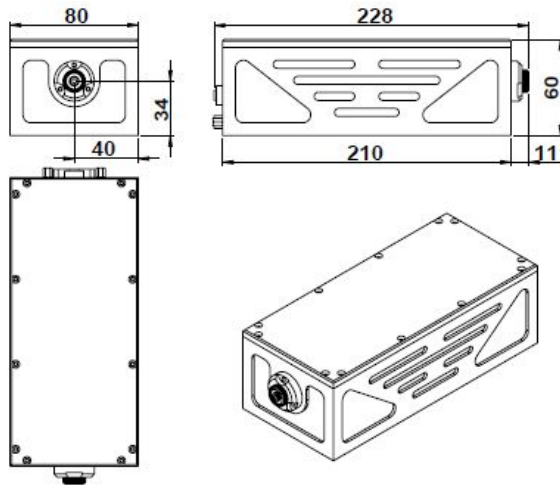
High energy diode pumped all solid state Q-switched laser at 1573nm has the features of high single pulse energy, short pulse duration, and high peak power, which is widely used in military, measurement, remote sensing, visualization, scientific research, and so on.



Wavelength (nm)	1573±1	
Operating mode	Q-switched: Electro-optic modulation	Q-switched: Passive Modulation
Single pulse energy (mJ)	2	
Pulse duration (ns)	<10	
Rep. rate (Hz)	1~10, EXT (adjustable)	
Energy stability	≤5%	
Beam divergence, full angle (mrad)	≤8	
Beam diameter (mm)	~3	
Warm-up time (minutes)	<15	
Beam height from base plate (mm)	34	
Cooled method	Conduction cooled	
Operating temperature (°C)	15~30	
Power supply (220V AC)	PSU-DPS-A	
Expected lifetime (pulses)	10 <sup>9</sup>	
Warranty period	1 year	

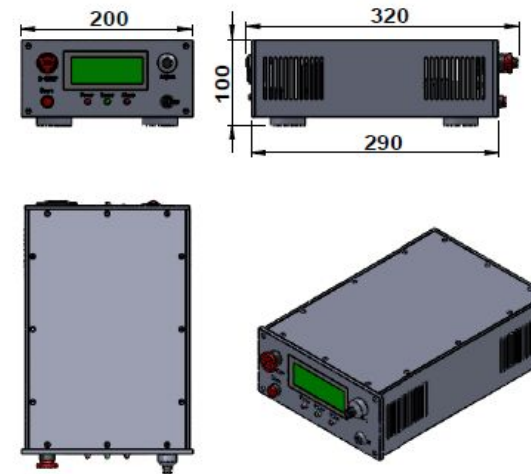


DPS-1573-A



228(L)×80(W)×60(H)mm<sup>3</sup>, 1.5kg

PSU-DPS-A



320(L)×200(W)×100(H) mm<sup>3</sup>, 4kg