



Lasertack New Laser Generation

AO-W-914 / 1~50μJ / 1~1.5W



LD PUMPED ALL-SOLID-STATE AOM Q-SWITCHED LASER

All solid state AOM Q-switched laser at 914 nm has the features of high peak power, high repetition rate, and short pulse duration, which is widely used in marking, carving, measure, research and so on.

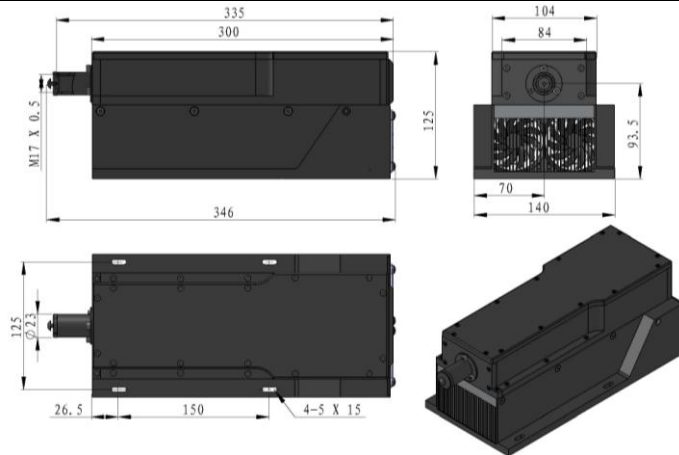


SPECIFICATIONS

Wavelength (nm)	914 ±1
Operating mode	Acousto-Optics Q-switched
Average power (W)	1~1.5W (1.5W@30kHz)
Single pulse energy (μJ)	Average power (W) = Single pulse energy (mJ) * Rep. rate (kHz)
Rep. rate (kHz)	1~50
Pulse duration (ns)	1~50 (50μJ @30kHz; 30μJ @50kHz)
Peak power (W)	Typically ~180 @30kHz, varies from power and repetition.
Ave power stability (over 4 hours)	1~270 (270W@30kHz)
Warm-up time (minutes)	<1%, <3%, <5%
Beam divergence, full angle (mrad)	<10
Beam diameter at the aperture (1/e ² ,mm)	<2.0
Beam height from base plate (mm)	~2.5
Cooled method	93.5
Operating temperature (°C)	Air cooled
Power supply (220/110VAC)	10~35
Expected lifetime (hours)	PSU-AOM
Warranty period	10000
	1 year

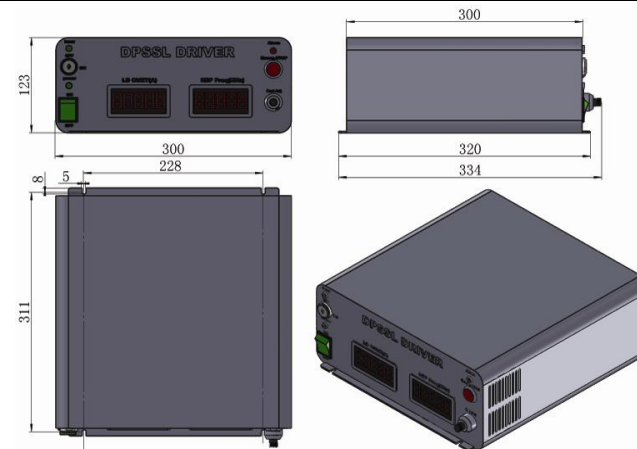


AO-W-914



346(L) × 140(W) × 125(H) mm³, 6.0 kg

PSU-AOM



334(L) × 300(W) × 123(H) mm³, 6.8 kg